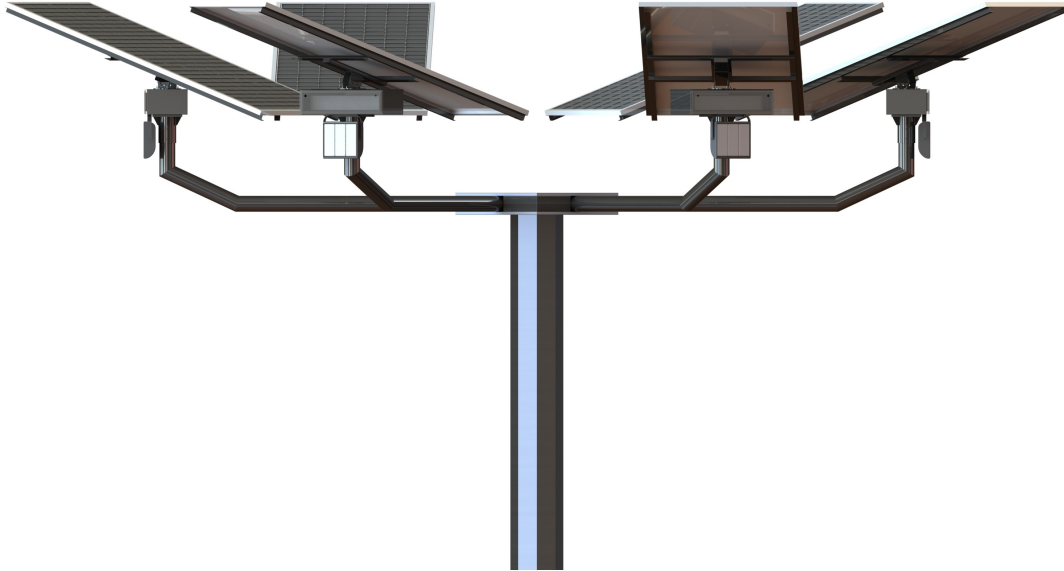


## 20M Solar LED High mast 6 x 100w High power LED floods

### SFSOLHM6X100LI



Design supplied with  
6 x 100w Highpower LED floods  
6 x 400w panels

**The SOLM 20M Solar LED high mast design is a robust and durable Solar lighting solution for those areas which require high quality components in overall design and performance**

**This model is supplied with 6 x 100w Philips Lumi LED 5050 SMD LED flood with a lumen output of 180lm/w.**

**Lighting parameters are programmed for 14 hour runtime**

**Light distribution is supplied with 30X45 degree with Smart PC lenses, designed with smart beam optics and other lens configurations are available**

**The battery is designed to cater for 14 hours with 2 reserve factor nights with Smart mode Solar controller MPPT Technology**

**The batteries require 5 hours to replenish its reserves**

**Lithium LIFEP04 Batteries with between 2000 - 3000 life cycles with an average life span of to 8 - 10years**

**20m Mast with optional side mounted cat ladder from 10m upwards**

# SOLM 20M Solar LED High mast 6 x 100w High power LED floods

<b>LIGHT</b>	Power	6 x 100w
	LED	Philips 5050 SMD
	IP Rating	IP66
	Flux @ CCT 5000K	6 x 18000Lm
	CRI - Colur Rendering Index	70
	Optics	PC lens with smart beam
	Average Lifespan	80 - 100 000 hours
	Operating Temperature	- 30 > + 50 Degrees
	Mounting Height	20 meter above ground level
	Light Distribution	30*45 degree Smart optical
	Lumen per WATT	180 Lumen / watt
	Pole to pole distance	100 meters
<b>BATTERY</b>	Lithium	Life PO4
	Voltage	6 x 25.6v
	Watt Hours	6 x 2406 Wh - 94Ah
	Lifespan	Over 2000 Cycles
<b>SOLAR PANEL</b>	Power	6 x 400w
	Voltage	44.12V
	Maximum current	10.91 Amp
<b>CONTROLLER</b>	Charging method	6 x Smart Mppt 20A
	Dimming Parameters	Full load with Smart power
	Day night sensor	Intelligent integrated
	Lighting parameters	6Hrs 100% / 8 hrs 70%
	Electrical parameters	Temperature compensation Overheating overcharging and over discharging protections
<b>BATTERY CRADLE AND ENCLOSURE</b>	3CR12 steel cabinet and powder coated Manufactured in an SABS approved facility with ISO 9001	
<b>POLE</b>	Galvanized 20m mast - Sectional Poles	
<b>WARRANTY</b>	5 years on all components - option to extend	

# SOLM 20M Solar LED High mast 6 x 100w High power LED floods

This design allows for each solar panel to be rotated 360 degrees on its mounting brackets to ensure all solar panels are facing in the North position for optimal sunshine

Each mast consists of 6 individual 6 x 100w Solar LED Flood Lights which are run individually

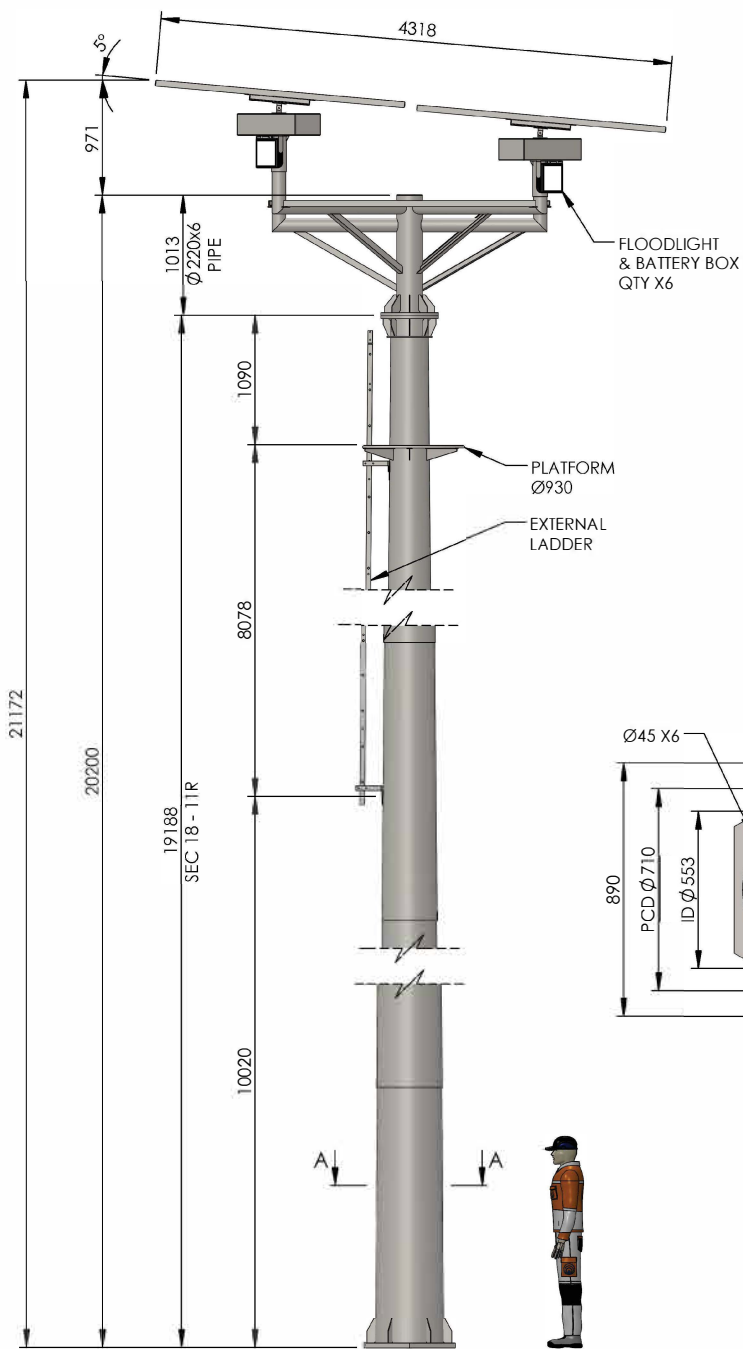
This is too ensure that should a problem arise for whatsoever reason on a single unit the remaining 5 units will remain operational until that single unit can be serviced or repaired

Solar panels will all be secured at a 5 degree inclination for the best wind loading factor on the mast

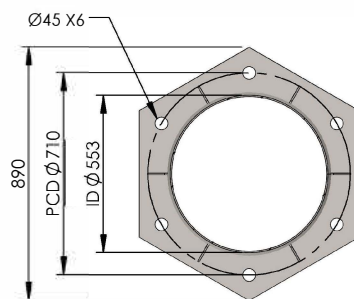


Image Illustration

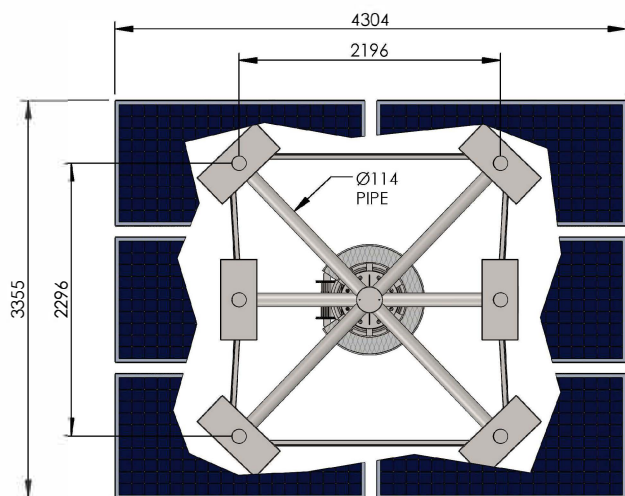
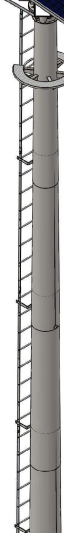
# INFORMATION ONLY



SOLAR PANNEL  
 2108X1048X40  
 QTY X6



SECTION A-A  
BASE DETAIL  
THK = 40mm

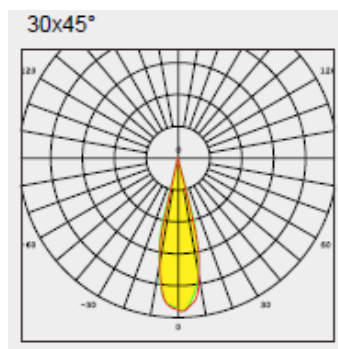
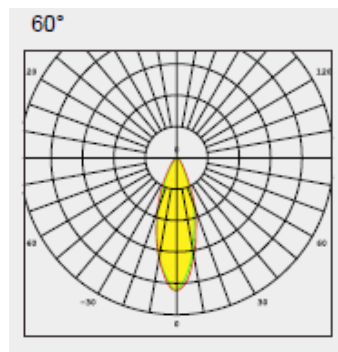
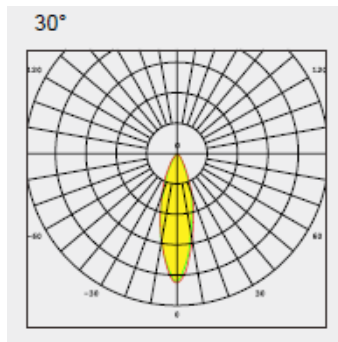


20m FLOODLIGHT MAST WITH 6X FIXED  
FL & SOLAR PANNELS

# SOLM 20M Solar LED High mast 6 x 100w High power LED floods

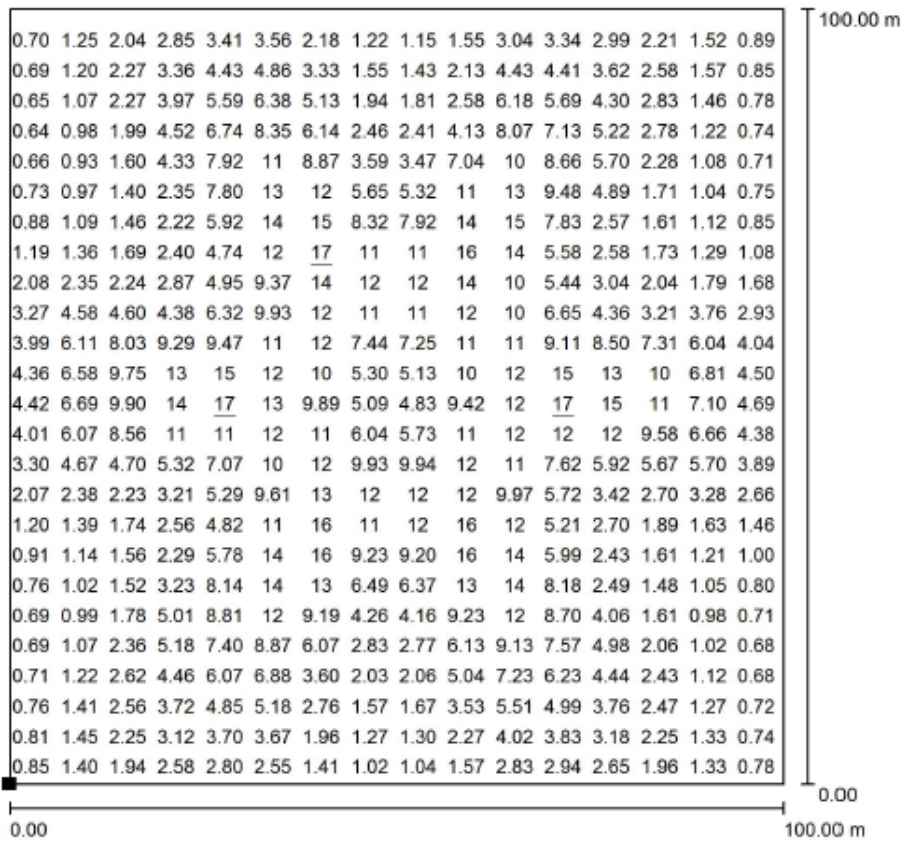
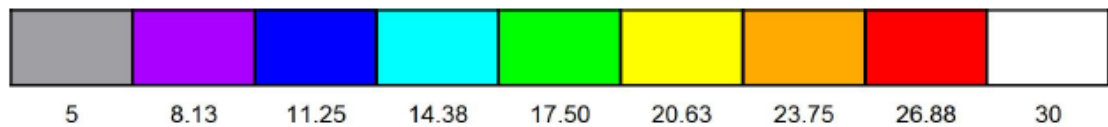
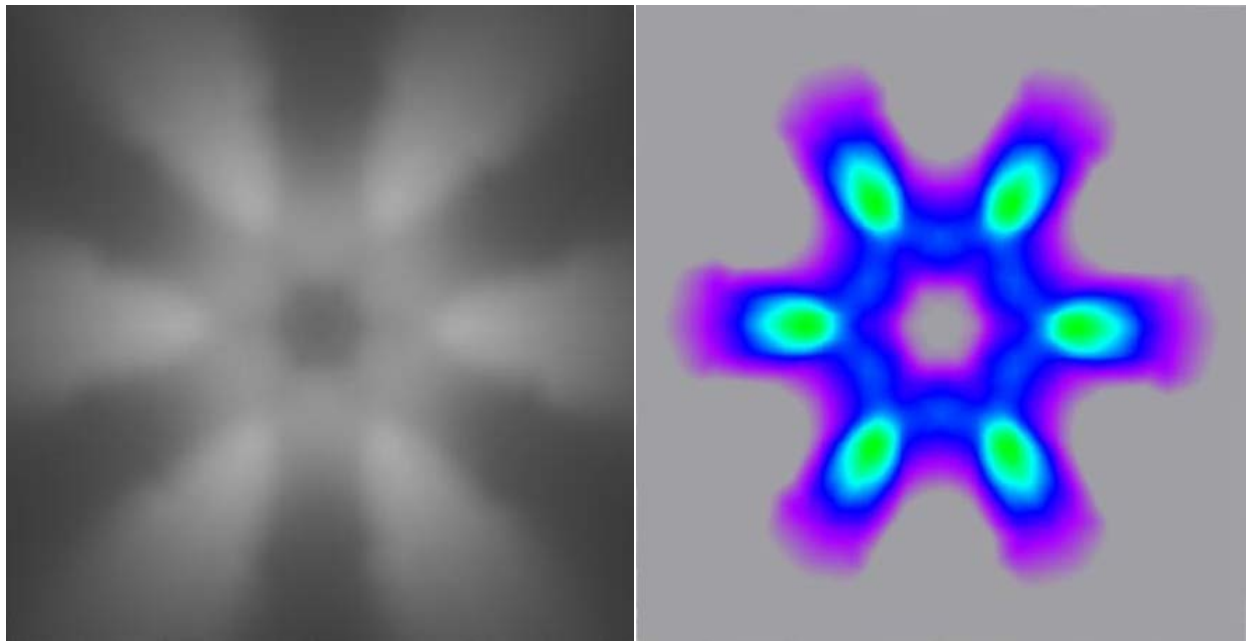


3 Lens options



# SOLM 20M Solar LED High mast - 6 x 100w High power LED floods

No.	Pieces	Designation (Correction Factor)	$\Phi$ (Luminaire) [lm]	$\Phi$ (Lamps) [lm]	P [W]
1	6	30x45DEG (Type 1)* (1.000)	17992	18000	100.0
*Modified Technical Specifications			Total: 107955	Total: 108000	600.0



Grid: 128 x 128 Points

$E_{av}$ [lx]	$E_{min}$ [lx]	$E_{max}$ [lx]	$u0$	$E_{min} / E_{max}$
5.41	0.56	17	0.103	0.032