

**60W Solar LED PIR Flood light  
Model SFSOLFLPIR60HPC-LI**



- PIR Motion sensing
- Highpower & Robust
- Lithium Technology
- Alu Zinc / Stainless Steel
- Different Colour Options
- Made in South Africa

**The 60w HPC Motion sensing Solar flood light is a compact high power Solar LED flood light design a motion sensor with Lithium battery technology.**

**This model is supplied with a 60w Philips SMD LED Module with a lumen output of 160lm/w.**

**Lighting parameters are based on 12.5 hours per night to operate 365 days per year with a 2 day reserve in Smart power.**

**100% power once the sensor is activated for a period of 20 - 30 seconds dimming back to 35%**

**PIR motion sensor is will detect any movement within an 8 meter Radius with a detection zone of 60 degrees from the sensor which will span over a 35 - 40m<sup>2</sup> area  
Light distribution options on the modules are 30, 45, 60, 90 & 110 degrees or with an Asymmetrical lens option.**

**Battery requires 4 - 5 hours to replenish.**

**Our standard LED brand options are, Philips or Cree SMD LEDs.**

**Standard warranties on components**

**LEDS 5 years**

**Electronics 3 years**

**Solar panels 25 years**

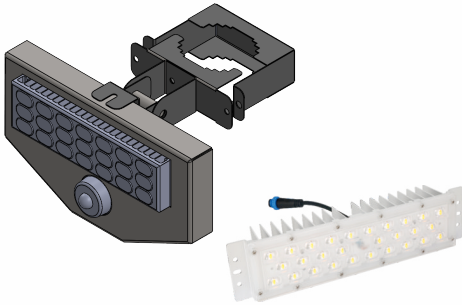
**Poles 10 years workmanship**

# SPECIFICATIONS

LIGHT	POWER	60W
	LED	Philips Lumileds
	IP RATING	IP66
	FLUX @ CCT 5000k	9600 lumen
	WARRANTY	5 years
	CRI	70 / 80
	OPTICAL CONTROL	PMMA Lenses
	AVERAGE LIFE SPAN	10 years
	OPERATING TEMPERATURE	-30 Deg~ + 50 Deg
	MOUNTING HEIGHT	6m above ground
	BEAM ANGLE	30 , 60, 90 & 110 degrees
	POLE TO POLE DISTANCE	25 meters
BATTERY	LITHIUM FERRO PHOSPHATE	LIFEPO4
	VOLTAGE	12.8V
	CAPACITY	691,2Wh
	CYCLES	2000 - 4000
SOLAR PANEL	RATED POWER	160w
	VOLTAGE AT MAX POWER	18V
	CURRENT AT MAX POWER	8.43Amp
CONTROLLER	CHARGE TYPE	MPPT Smart 365
	DIMMING	Intelligent IC - 100 / 70 / 50 / 30
	DAY NIGHT SENSORS	Integrated into controller
	LIGHTING PARAMETERS	4 stage Programmable
	ELECTRICAL PROTECTION	IP 68, Temperature compensation
		Overheating, overcharging and
Over discharging protections		
BRACKETING AND BATTERY BOXES	Alu Zinc and powder coated, Manufactured in an SABS approved facility with ISO 9001 3CR12 Stainless steel optional for coastal environments	
POLE	Opt: Galvanized steel ,6m pole with flood light collar - 101 - 76mm	
Powder Coating	Optional	

# 60W Solar LED PIR Flood light Model SFSOLFLPIR60HPC-LI

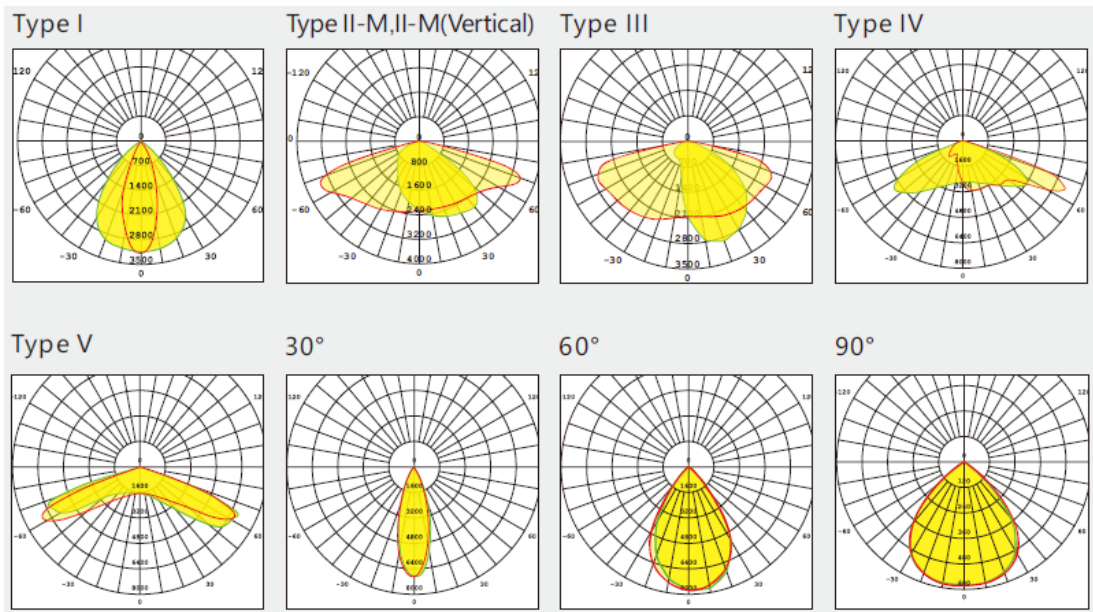
LED Module



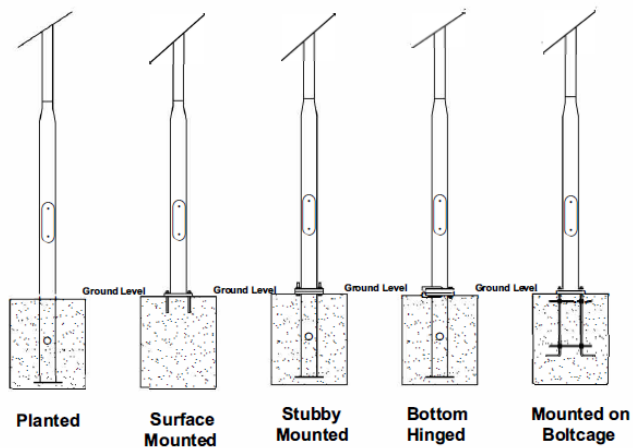
Battery Technology- 3.2V Lithium LIFEP04 Cells



## Distribution Curve Flux



## Pole mounting options



## Components certifications

LM-79 LM-80 TM21 **IP66 IP68**  