

## 20M Solar LED High mast 6 x 150w High power LED floods

### SFSOLHM6X150LI



Design supplied with  
6 x 150w Highpower LED floods  
6 x 555w panels

**The SOLM 20M Solar LED high mast design is a robust and durable Solar lighting solution for those areas which require high quality components in overall design and performance**

**This model is supplied with 6 x 150w Philips Lumi LED 5050 SMD LED flood with a lumen output of 180lm/w.**

**Lighting parameters are programmed for 14 hour runtime**

**Light distribution is supplied with 30 degree PC lenses, designed with smart beam optics and other lens configurations are available**

**The battery is designed to cater for 14 hours with 2 reserve factor nights with Smart mode Solar controller MPPT Technology**

**The batteries require 5 hours to replenish its reserves**

**Lithium LIFEP04 Batteries with between 2000 - 3000 life cycles with an average life span of to 8 - 10years**

**20m Mast with optional side mounted cat ladder from 10m upwards**

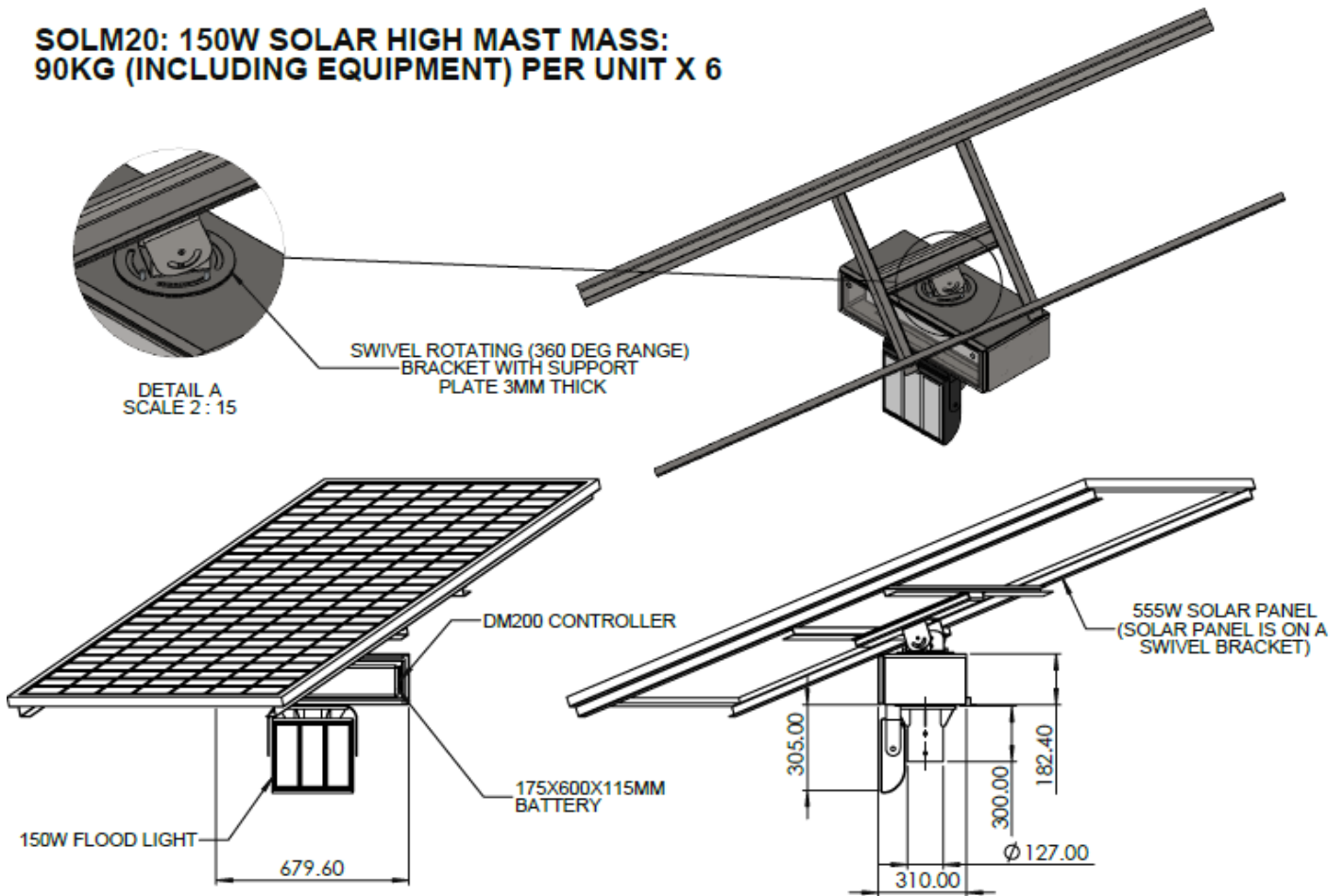
# SOLM 20M Solar LED High mast 6 x 150w High power LED floods

<b>LIGHT</b>	Power	6 x 150w
	LED	Philips 5050 SMD
	IP Rating	IP66
	Flux @ CCT 5000K	6 x 27000Lm
	CRI - Colur Rendering Index	70
	Optics	PC lens with smart beam
	Average Lifespan	80 - 100 000 hours
	Operating Temperature	- 30 > + 50 Degrees
	Mounting Height	20 meter above ground level
	Light Distribution	30 degree Smart optical
	Lumen per WATT	180 Lumen / watt
	Pole to pole distance	200 meters
<b>BATTERY</b>	Lithium	Life PO4
	Voltage	6 x 25.6v
	Watt Hours	6 x 3840 Wh - 150Ah
	Lifespan	Over 2000 Cycles
<b>SOLAR PANEL</b>	Power	6 x 555w
	Voltage	41.6V
	Maximum current	13.3 Amp
<b>CONTROLLER</b>	Charging method	6 x Smart Mppt 20A
	Dimming Parameters	Full load with Smart power
	Day night sensor	Intelligent integrated
	Lighting parameters	6Hrs 100% / 7.5 hrs 70%
	Electrical parameters	Temperature compensation Overheating overcharging and over discharging protections
<b>BATTERY CRADLE AND ENCLOSURE</b>	3CR12 steel cabinet and powder coated Manufactured in an SABS approved facility with ISO 9001	
<b>POLE</b>	Galvanized 20m mast - Sectional Poles	
<b>WARRANTY</b>	5 years on all components - option to extend	

# SOLM 20M Solar LED High mast 6 x 150w High power LED floods

## Schematics

**SOLM20: 150W SOLAR HIGH MAST MASS:  
90KG (INCLUDING EQUIPMENT) PER UNIT X 6**



This design allows for each solar panel to be rotated 360 degrees on its mounting brackets to ensure all solar panels are facing in the North position for optimal sunshine.

Each mast consists of 6 individual 6 x 150w Solar LED Flood Lights which are run individually

This is too ensure that should a problem arise for whatsoever reason on a single unit the remaining 5 units will remain operational until that single unit can be serviced or repaired.

SOLM 20M Solar LED High mast 6 x 150w High power LED floods

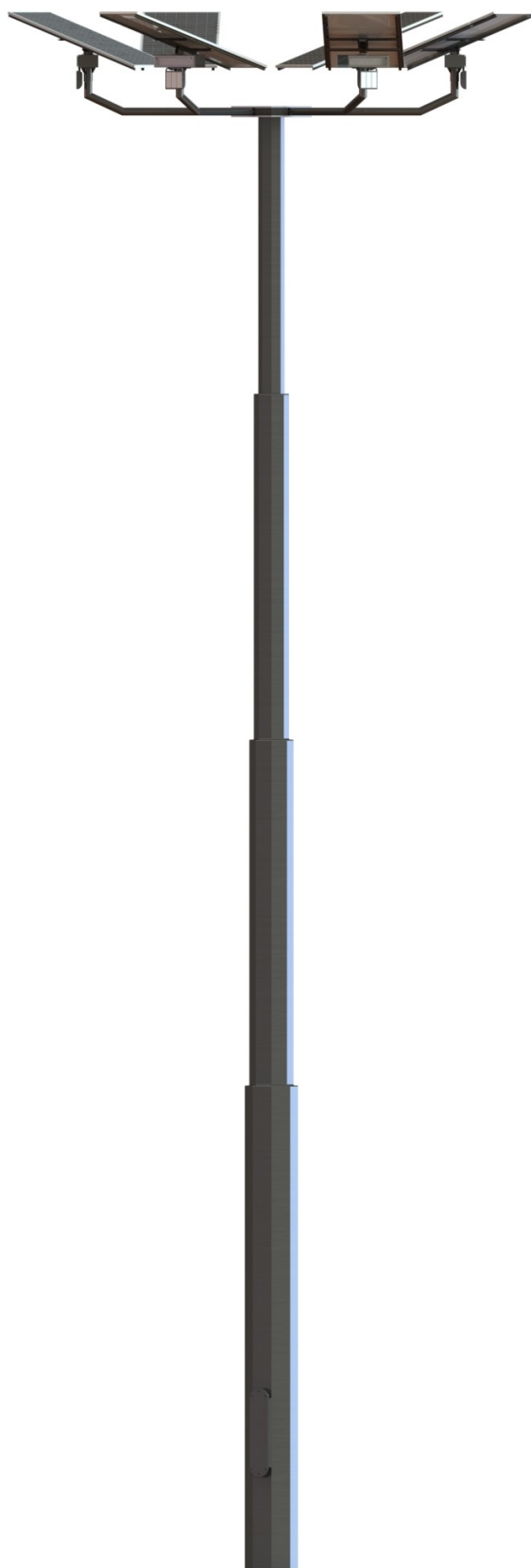
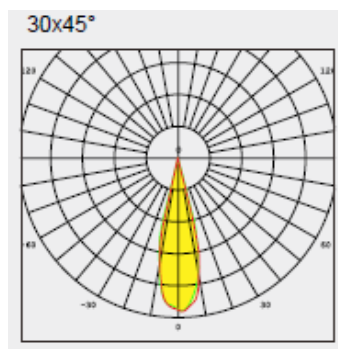
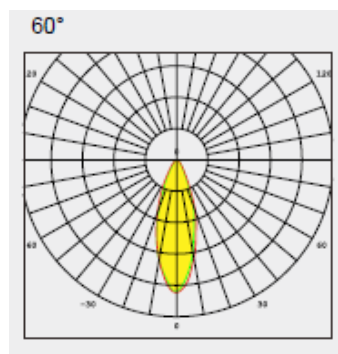
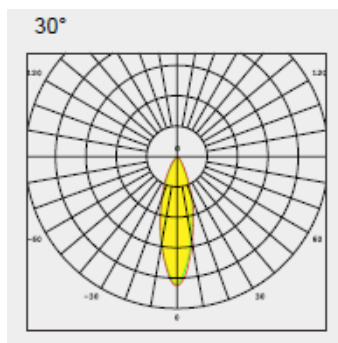


Image Illustration

# SOLM 20M Solar LED High mast 6 x 150w High power LED floods

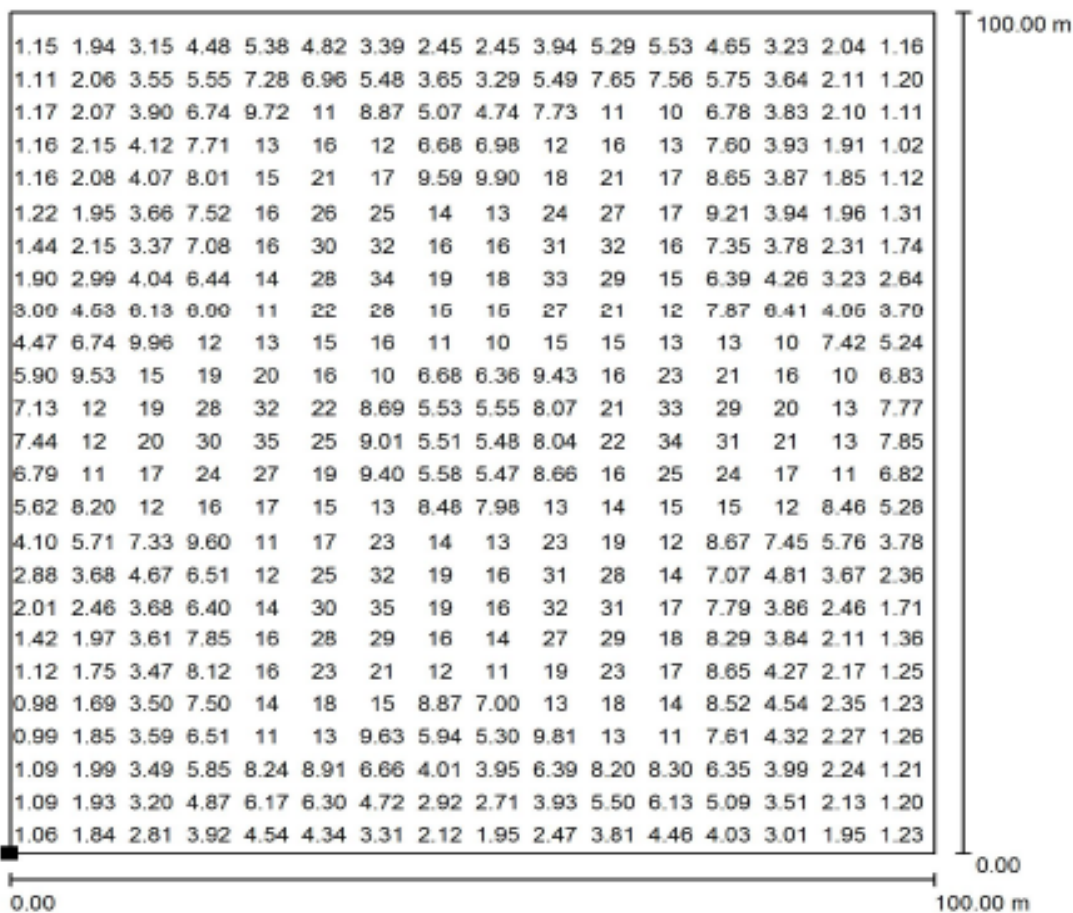
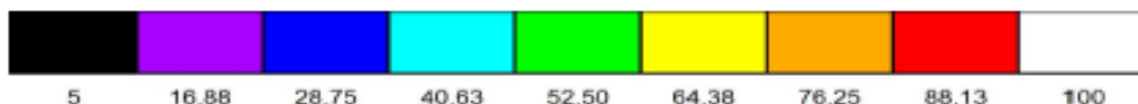
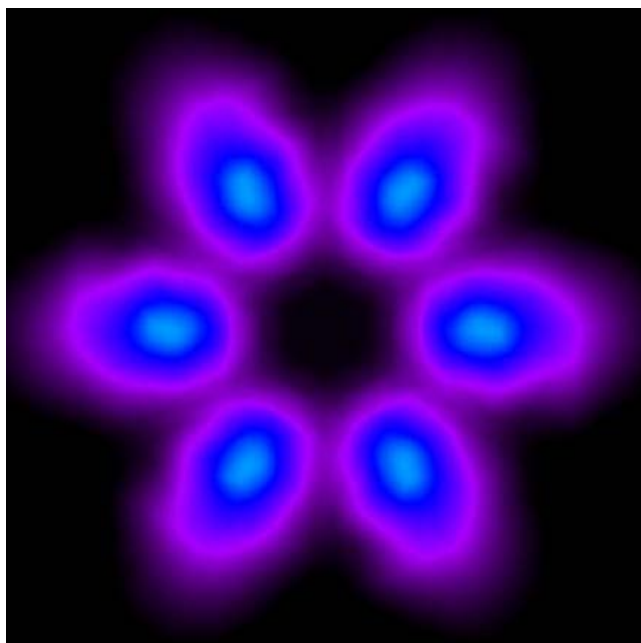
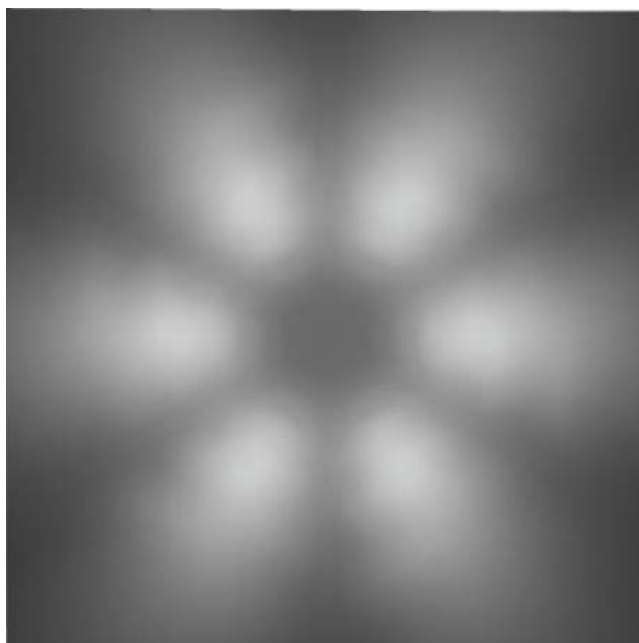


3 Lens options



# SOLM 20M Solar LED High mast - 6 x 150w High power LED floods

No.	Pieces	Designation (Correction Factor)	Φ (Luminaire) [lm]	Φ (Lamps) [lm]	P [W]
1	6	M30 30DEG (Type 1)* (1.000)	27117	27000	150.0
*Modified Technical Specifications			Total: 162705	Total: 162000	900.0



Grid: 128 x 128 Points

$E_{av}$ [lx]	$E_{min}$ [lx]	$E_{max}$ [lx]	$u0$	$E_{min} / E_{max}$
10	0.79	36	0.077	0.022