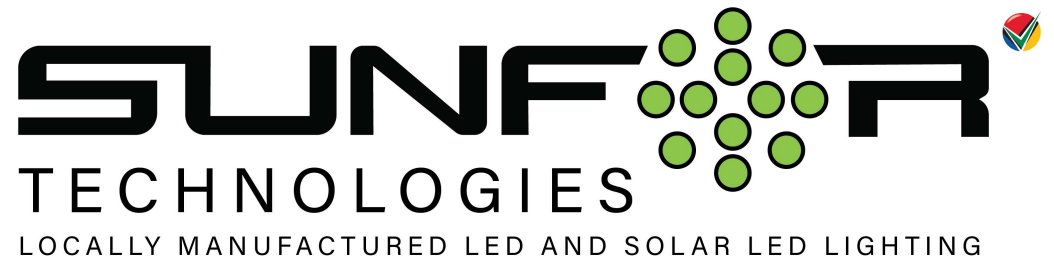


SMD3 LED Flood Light Series



10W-450W

Advantages

- High efficiency, 130lm/w available.
- Beam angle 30°/60°/90°/120°
/ T2M/ T3M/
- Integrated die-casting aluminum housing, elegant appearance
- Good heat dissipation, long lifespan
- Tempered glass, surface coating process, excellent corrosion-proof
- IP66



130lm/W

Color



A: TechnicalParameter

Model.	SFLEDFL10SMD3	SFLEDFL20SMD3	SFLEDFL30SMD3	SFLEDFL50SMD3	SFLEDFL80SMD3	SFLEDFL100SMD3	
LampSize	188*123*47mm	248*169*51mm	248*169*51mm	288*228*52mm	364*278*52mm	364*278*52mm	
Voltage	AC100V-305V 50/60HZ						
Power	10W	20W	30W	50W	80W	100W	
LED Type	Lumileds 3030						
LED Quantity	12pcs	24pcs	32pcs	48pcs	72pcs	96pcs	
Luminous Flux	Lumileds 3030	1300LM ±5%	2600LM ±5%	3900LM ±5%	6500LM ±5%	10400LM ±5%	13000LM ±5%
Color Temperature(CCT)	3000K/4000K/5000K/6500K						
Beam Angle	30°/60°/90°/120° °/T2M/T3M (12-in-one lens)	30°/60°/90°/120° °/T2M/T3M (12-in-one lens)	30°/60°/90°/120° °/T2M/T3M (16-in-one lens)	30°/60°/90°/120° °/T2M/T3M (16-in-one lens)	30°/60°/90°/120° °/T2M/T3M (12-in-one lens)	30°/60°/90°/120° °/T2M/T3M (12-in-one lens)	
Color Rendering Index (CRI)	Ra>80						
Power Supply Efficiency	>88%						
LED Luminous Efficiency	130lm/W						
Power Factor (PF)	>0.9						
Total Harmonic Distortion (THD)	≤15%						
IP Rank	IP 66						
Net Weight	0.5kg	0.98kg	0.98kg	1.5kg	2.6kg	2.6kg	
Certificate	IEC 60598-2-5 / IEC 60598 - 1						

A: TechnicalParameter

Model	SFLEDFL120SMD3	SFLEDFL150SMD3	SFLEDFL200SMD3	SFLEDFL250SMD3	SFLEDFL300SMD3	SFLEDFL350SMD3	SFLEDFL400SMD3
LampSize	394*392*57mm	394*392*57mm	445*392*57mm	445*392*57mm	497*392*59mm	523*545*65mm	523*545*65mm
Voltage	AC100V-305V 50/60HZ						
Powe	120W	150W	200W	250W	300W	350W	400W - 450W
LED Type Lumileds 3030	Lumileds 3030						
LED Quantity	120pcs	144pcs	216pcs	240pcs	384pcs	384pcs	480 - 512pcs
Luminous Flux	15600LM±5%	19500LM±5%	26000LM±5%	32500LM±5%	39000LM±5%	45500LM±5%	52000LM±5%
Color Temperature(CCT)	3000K/4000K/5000K/6000K						58500LM±5%
Beam Angle	30°/60°/90°/120° / T2M/T3M (12-in-one lens)	30°/60°/90°/120° / T2M/T3M (12-in-one lens)	30°/60°/90°/120° / T2M/T3M (12-in-one lens)	30°/60°/90°/120° / T2M/T3M (12-in-one lens)	30°/60°/90°/120° / T2M/T3M (12-in-one lens)	30°/60°/90°/120° / T2M/T3M (12-in-one lens)	30°/60°/90°/120° / T2M/T3M (12-in-one lens)
Color Rendering Index (CRI)	Ra>80						
Power Supply Efficiency	>88%						
LED Luminous Efficiency	130lm/W						
Power Factor (PF)	>0.9						
Total Harmonic Distortion (THD)	≤15%						
IP Rank	IP 66						
Net Weight	4.0kg	4.0kg	4.7kg	5.7kg	8.5kg	8.8kg	9.2kg 10kg
Certificate	IEC 60598-2-5 / IEC 60598						

Technical Specification

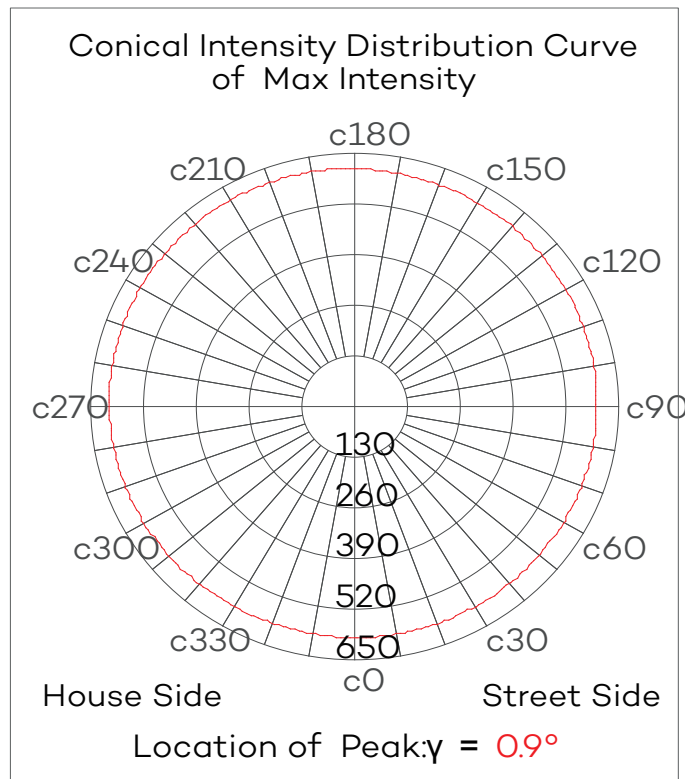
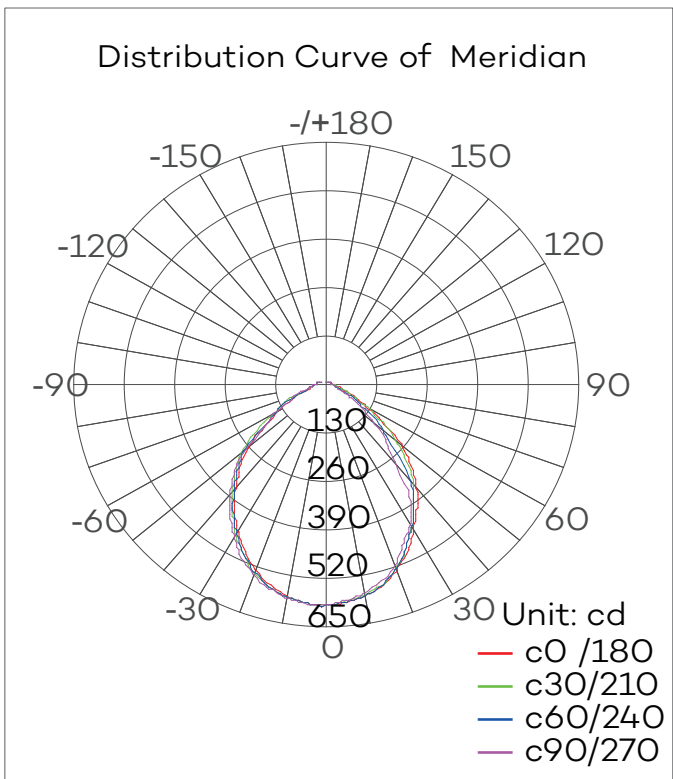
B: Mechanical Specifications

Temperature Range Operating	-40°C ~ 50°C
Humidity Range Operating	10% ~ 90%
Temperature Range Storage	-40°C ~ 70°C
Humidity Range Storage	10%~ 90%

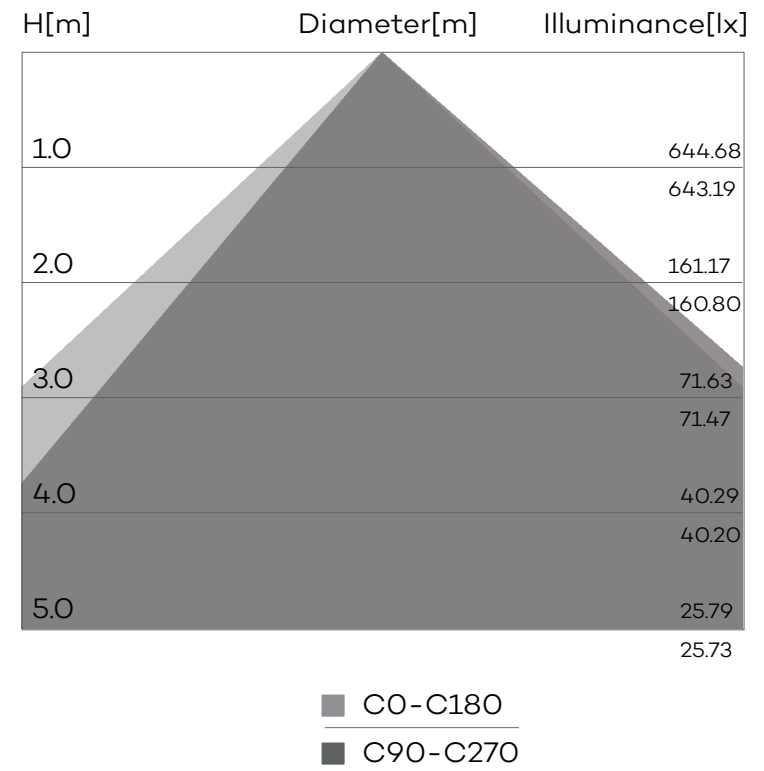
C: Environmental

LED Driver	SOSEN/DONE
Housing Processing	Die-Casting
Material	ADC12

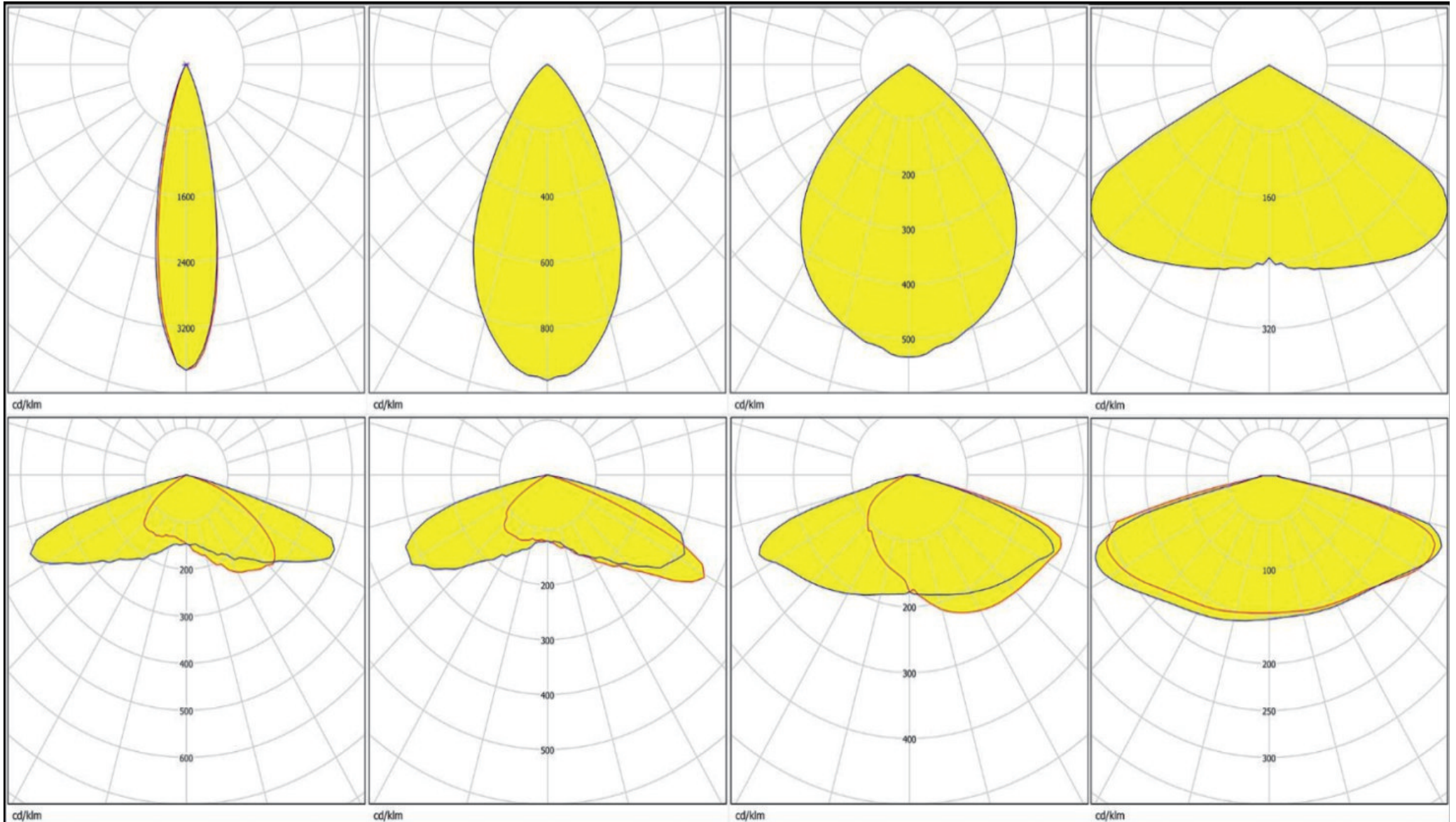
Luminous Intensity Distribution



Illumination Cone Curve

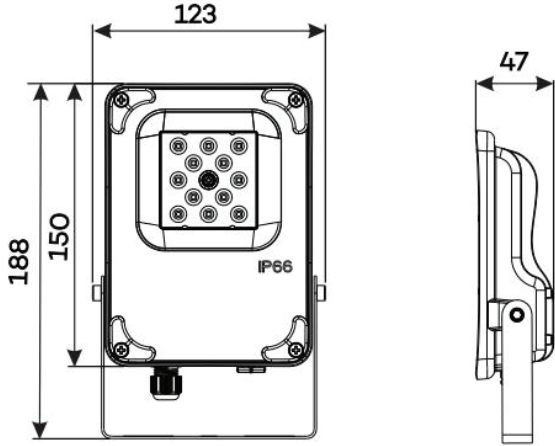


Distribution Curve Flux

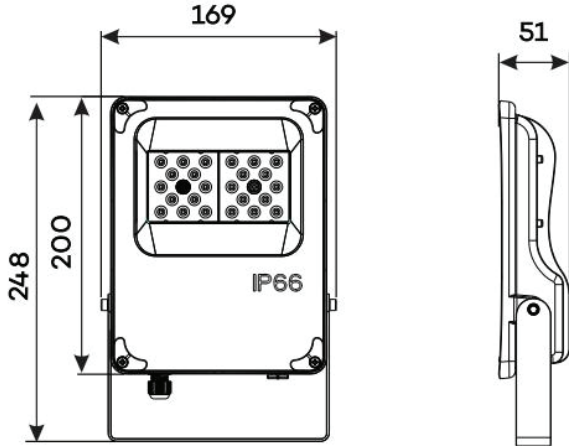


Dimension

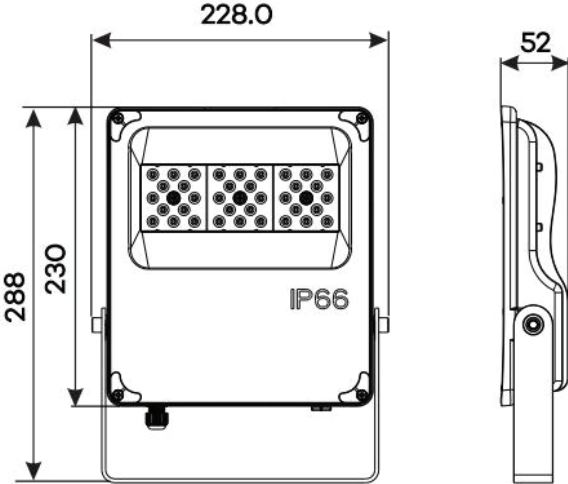
10W



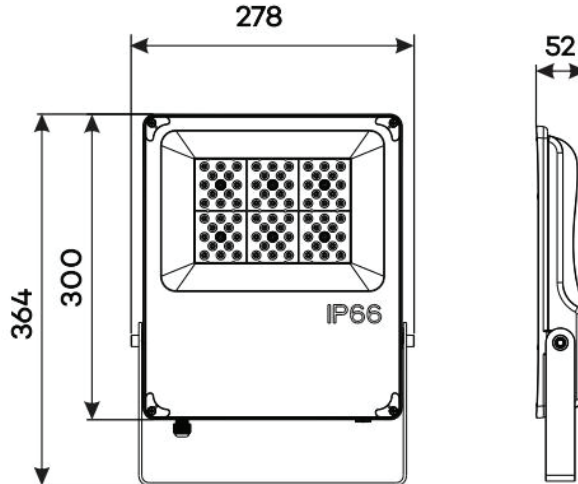
20W



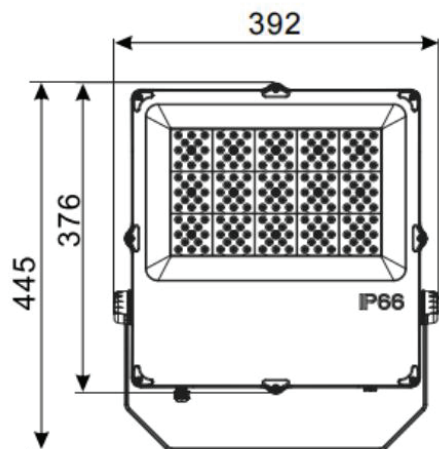
30W



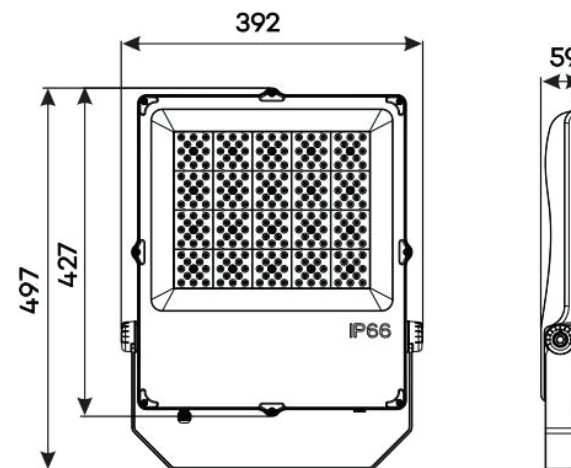
50W/80W/100W



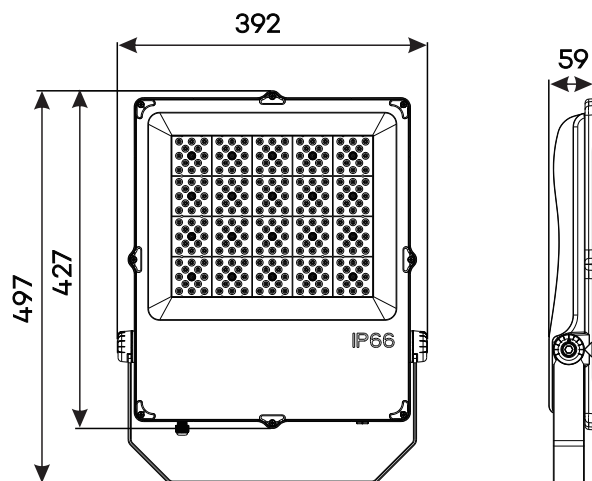
Dimension



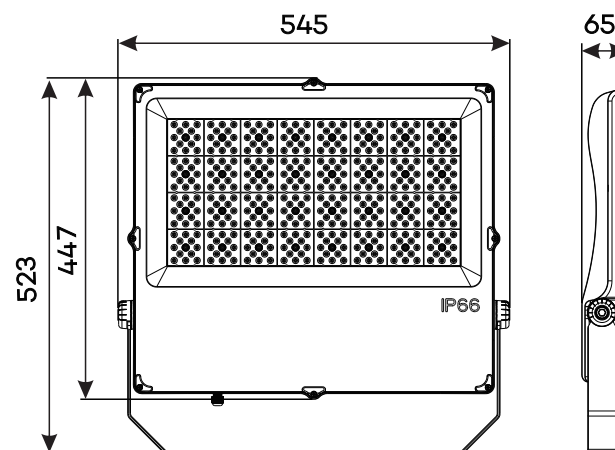
150W



200W



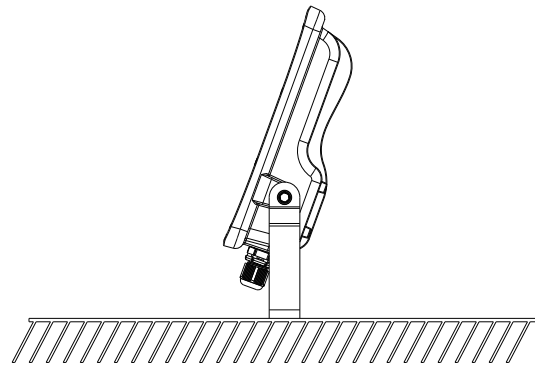
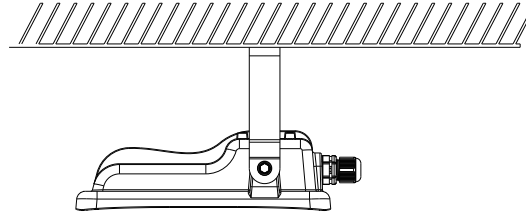
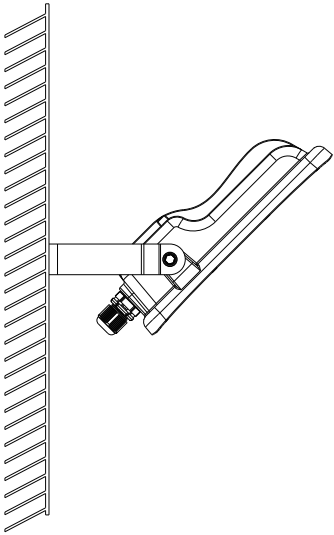
250W



300W / 400W 450W

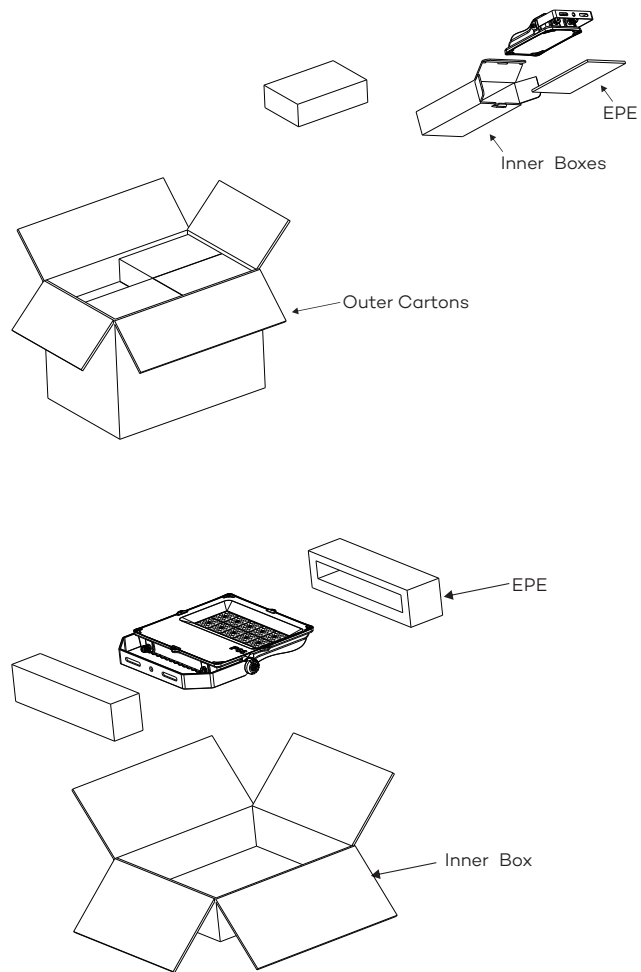
unit: mm

Installation



1. Mount the sturrip to the wall or pole
2. Adjust the lamp body to proper orientation and local the side allen keys bolts once adjusted
3. Fix the screws that connecting the bracket and the lamp body.
4. Connect the wiring
- 4..Brown wire is L, Blue wire is N and yellow-green wire is earth.

Packing



Item No.	Carton Size		Quantity	G.W.
SFLEDFL10SMD3	Inner Boxes	196*128*56mm	1pcs	0.6Kg
	Outer Cartons	420*280*310mm	20pcs	14.0Kg
SFLEDFL20SMD3	Inner Boxes	254*175*60mm	1pcs	1.1Kg
	Outer Cartons	540*380*330mm	20pcs	24.0Kg
SFLEDFL30SMD3	Inner Boxes	296*226*60mm	1pcs	1.6Kg
	Outer Cartons	480*320*330mm	10pcs	17.0Kg
SFLEDFL50/80/100	Inner Boxes	372*292*60mm	1pcs	2.7Kg
	Outer Cartons	610*440*330mm	10pcs	28.0Kg
SFLEDFL150SMD3	500*430*130mm		1pcs	5.65kg
SFLEDFL200SMD3	550*430*130mm		1pcs	6.75kg
SFLEDFL250SMD3	550*430*130mm		1pcs	6.75kg
SFLEDFL300/450SMD3	590*570*130mm		1pcs	9.3-10kg

Attention

1. Please read the manual carefully before installation.
2. Please check everything carefully before use.
If any abnormalities are found whilst opening up your product, please contact us to investigate further.
3. It is a normal phenomenon that the surface temperature of the lamp get higher during use.
4. Please do not disassemble or opening the LED Flood light casing up in any way otherwise it will void your warranty
- 5.

Warranty

Sunfor Technologies offers 5-year warranty from date of purchase on the above series

Warranty terms

1. Under warranty terms, any failures under normal circumstances we will either replace or repair at time of incident
2. Sunfor will not offer maintenance service under following conditions even within warranty.
 - a.Failure or damage due to force majeure.
 - b.Failure or damage due to transport or abnormal handling & unloading of goods.
 - c.Failure or damage due to incorrect usage or failed to follow the correct installation procedures.
 - d.Failure or damage due to demolition, repair or alteration without authorization from Sunfor Technologies.
3. Please contact Sunfor Technologies in the event of any issues that may arise and it will be dealt with speedily. Please keep your invoice for future warranty claims
4. Sunfor Technologies reserves its rights on the aforesaid terms

Caution

We will not be responsible for any other failure, damage or injury due to incorrect installation procedures.