

H1 Series LED Street Light

H1 Series LED Street Light



SFH17101



SFH17102



SFH17103



Overview

High Performance

Higher efficacy LED by Lumileds or Bridgelux LED SMDs
Power supplies, SOSEN, INVENTRONICS and MOSO.

Multiple Configurations Optional

10KV SPD is optional.
Photocell, timer dimming, DALI, 0-10V dimming is optional.
Intelligent control system with 7 PIN NEMA interface is optional.

Wider Application

H1 series LED street light provides high quality lumen output,
Superior performance and stability over its life cycle.
LM80 100 000 hours cycle life on Luxeon 3030 2D
5 years warranty.

Colour



Silver OR Black (White optional)

H1 Series LED Street Light

LED Source



Provides excellent lumen output, superb stability and fantastic visual perception.
(Lumileds or Osram)

Photocell



UL/TUV certified
Switch on when illuminance <6 LUX
Switch off when illuminance >50LUX
3 Pin/5 Pin/7Pin NEMA Socket



LED Driver



High quality driver which provides excellent stability, long lifetime with stable performance

Surge Protector Device



Series connection 10KV 5KA high quality Surge Protector Device, avoids loss by lightning or surges. (20KV 10KA is optional.)



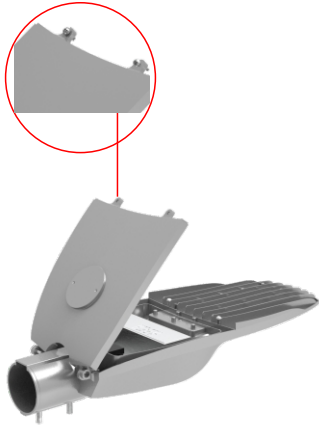
Parallel connection

Battery Box is Optional



Battery box cover is optional for solar lighting applications

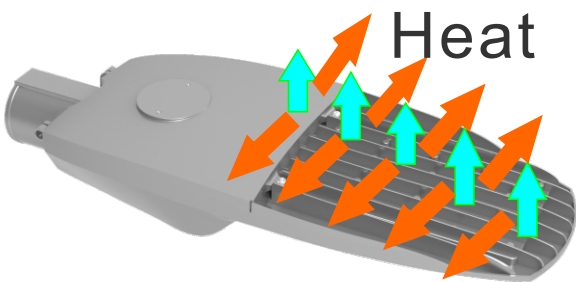
Tool Free Open and Maintenance



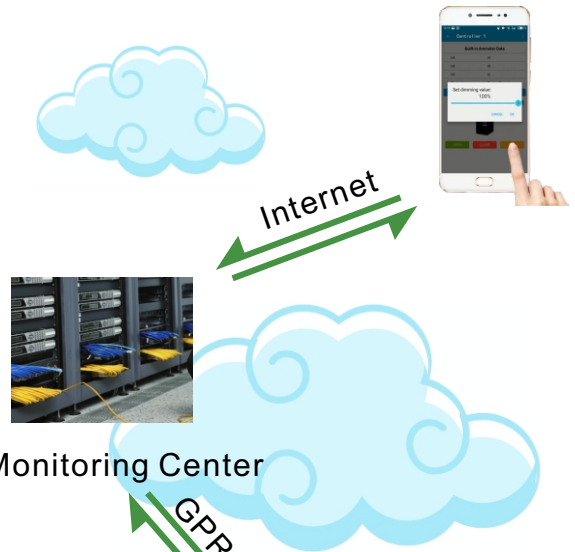
Butterfly screw is optional

You can open the power supply cavity by rotating the butterfly screw for ease of maintenance

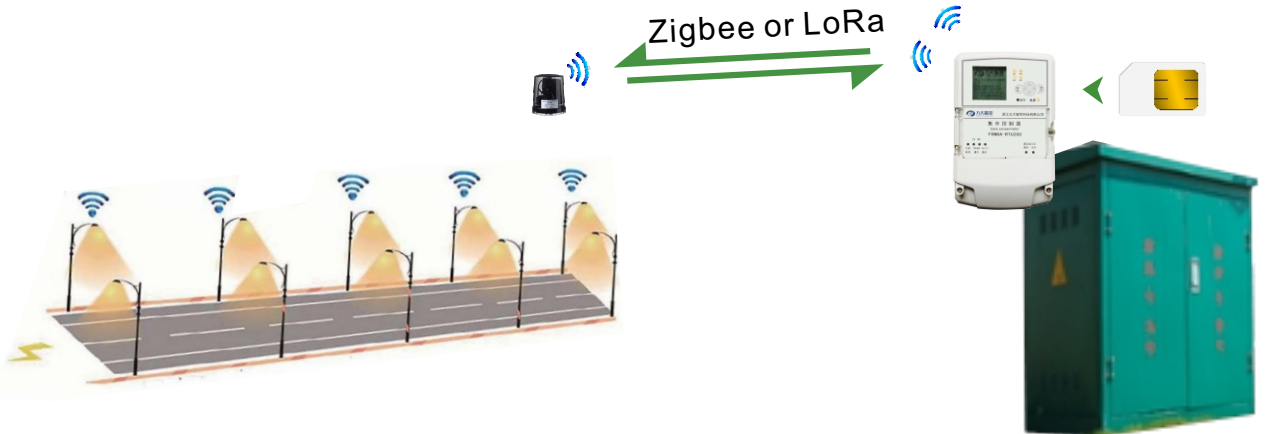
Excellent Heat Dissipation



Intelligent Control System



Zigbee or LoRa

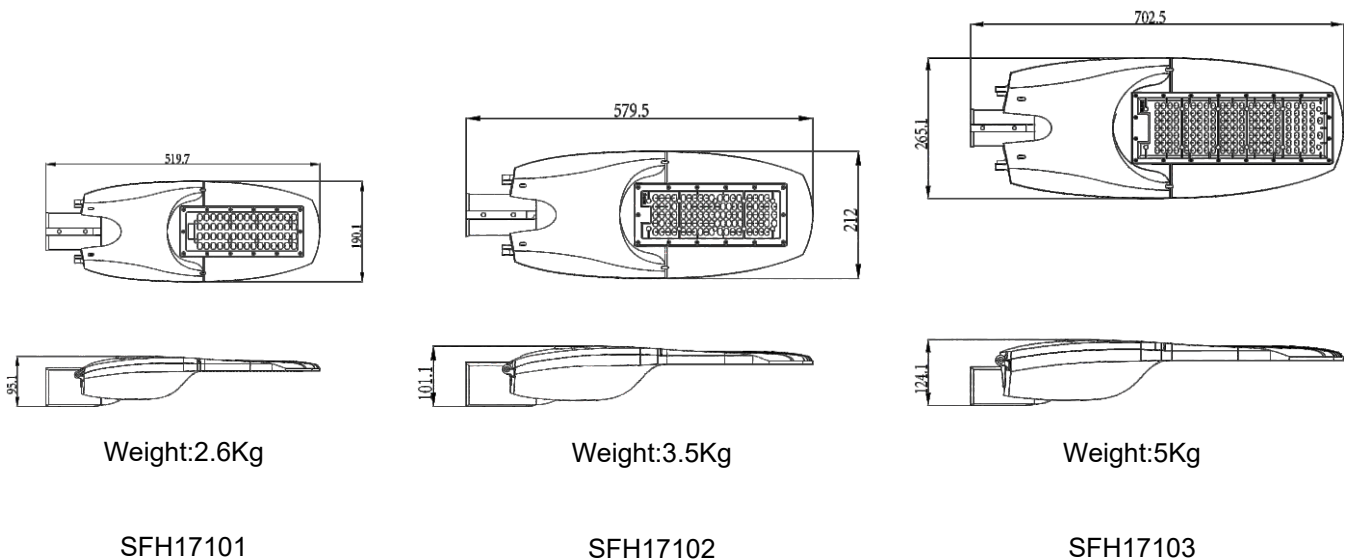


H1 Series LED Street Light

Product Parameters

ITEM	SFH17101	SFH17102	SFH17103
Nominal Power	40W-60W	80W-100W	120W-150W
Input Voltage	100-277VAC,50/60Hz	100-277VAC,50/60Hz	100-277VAC,50/60Hz
Power Factor	>0.95	>0.95	>0.95
THD	<15%	<15%	<15%
Light Distribution	II-M,III-M	II-M,III-M	II-M,III-M
CCT	2700K~6500K	2700K~6500K	2700K~6500K
CRI	Ra>70	Ra>70	Ra>70
SDCM Value	<5SDCM	<5SDCM	<5SDCM
Protection Grade	IP66,IK08	IP66,IK08	IP66,IK08
LED	Lumileds LUXEON	Lumileds LUXEON	Lumileds LUXEON
Electrical Protection	CLASS I or CLASS II	CLASS I or CLASS II	CLASS I or CLASS II
Luminous Flux	120~140Lm/W	120~140Lm/W	120~140Lm/W
Housing	Die-casting Aluminum	Die-casting Aluminum	Die-casting Aluminum
Warranty	≥5 Years	≥5 Years	≥5 Years
Lamp dimension	519.7*190.1*95.1MM	579.5*212*100.1MM	702.5*265.1*124.1MM

Dimensions



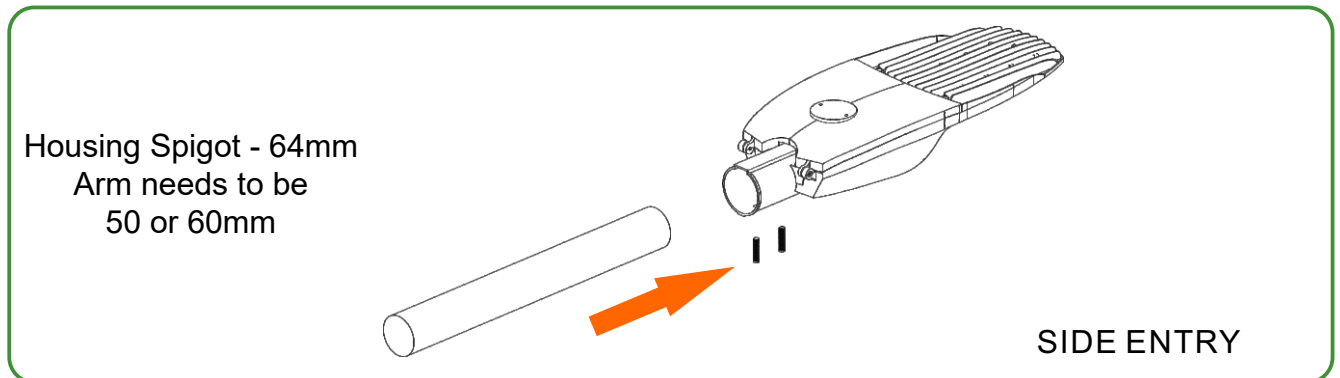
Packing Dimensions

685L*540WX220H

600L*575WX242H

723L*675WX296H

Installation



Practical Application

