



LED FLOOD - MODEL SFLEDFL50SMDLM

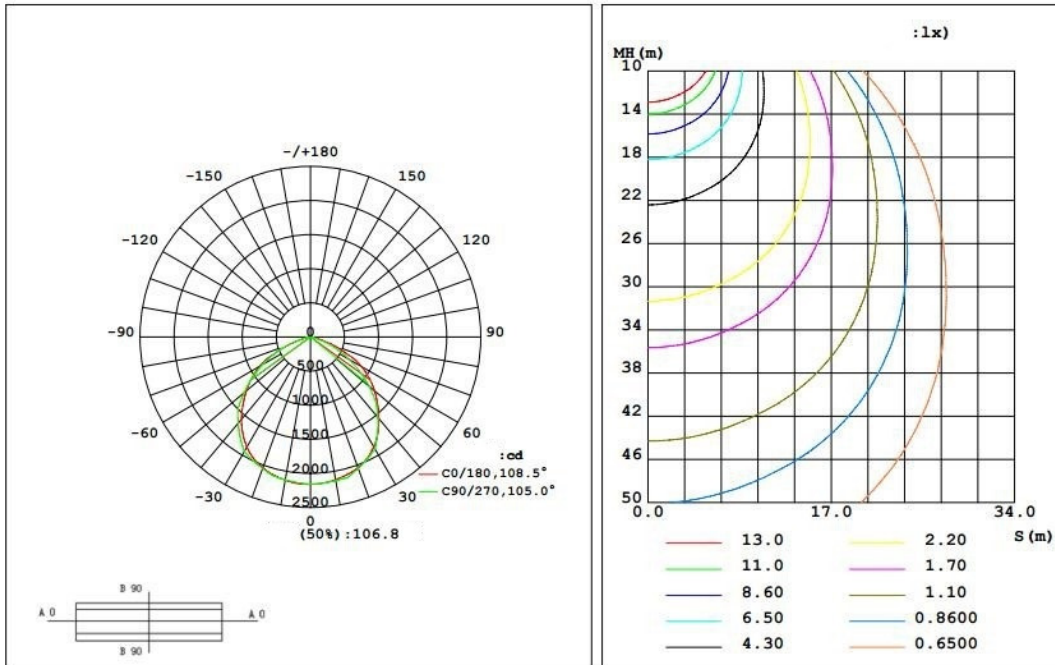
Our compact LED Flood light adopts a new 3rd generation LED Flood light heatsink, Ultra slim sleek design. LED Flood light reflector and heatsink integrated, Pure aluminum structure for heat dissipation. New processing technology of LED light fixtures ensuring performance and long service life. Professional optical design, lumen efficiency can be increased by 50%, More than 130lm/w. 3 or 5-year warranty available

Technical Specifications

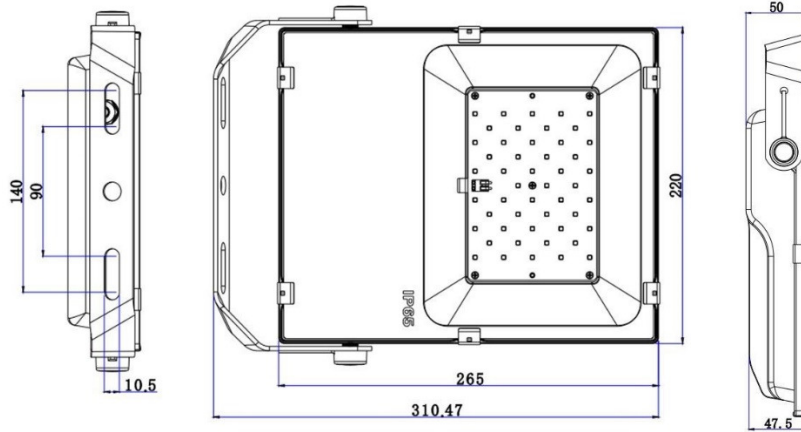
Product Name:	Compact LED Flood
Model NO.:	SFLEDFL50SMDLM
Power:	50W
LED Chip	Phillips SMD LED
Lamp housing	aluminum
Power Factor:	PF>0.95
Input Voltage	85-265V AC / 12 VDC
THD:	THD<10%
IP Grade:	IP65
CRI:	Ra> 80
Lumen:	50W>6500lm
Beam Angle:	110°
Color:	Warm white / nature white/ Cool White
Working Temp:	-40~60°C
Warranty	3 or 5 Years warranty (Life time is more than 50000hours)
Certification	IEC60598-1 / IEC 60598-2-5 / IEC62031



Light Distribution 100 Deg

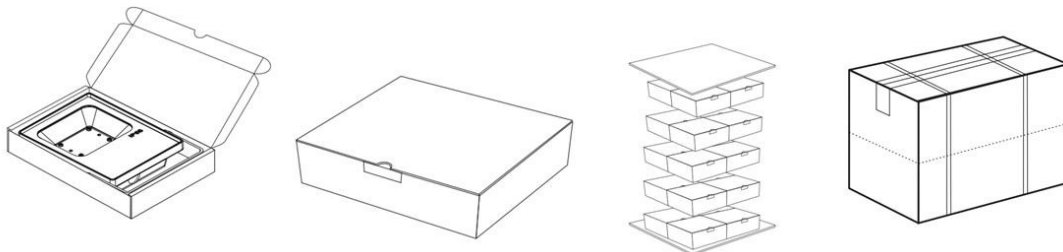


Product Dimensions

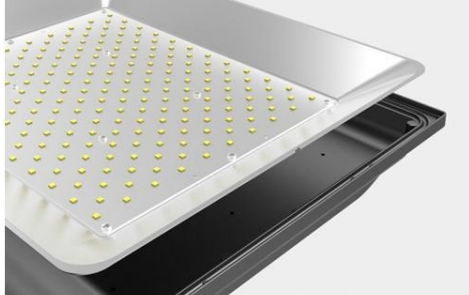


Packing

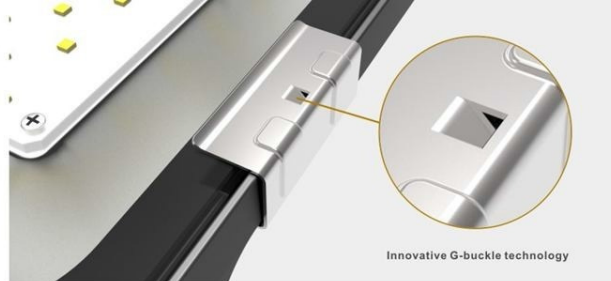
8pcs in a carton. Carton Size: 53*36.5*25.5cm. 16KG/CARTONS



Compact and Innovative Design



Reflector and heat sink integrated



Innovative G-buckle technology

Design innovation, effective protection



Protection grade reaches Ip65



Anti-Level-17 hurricane



Adjustable 270 ° Angle

